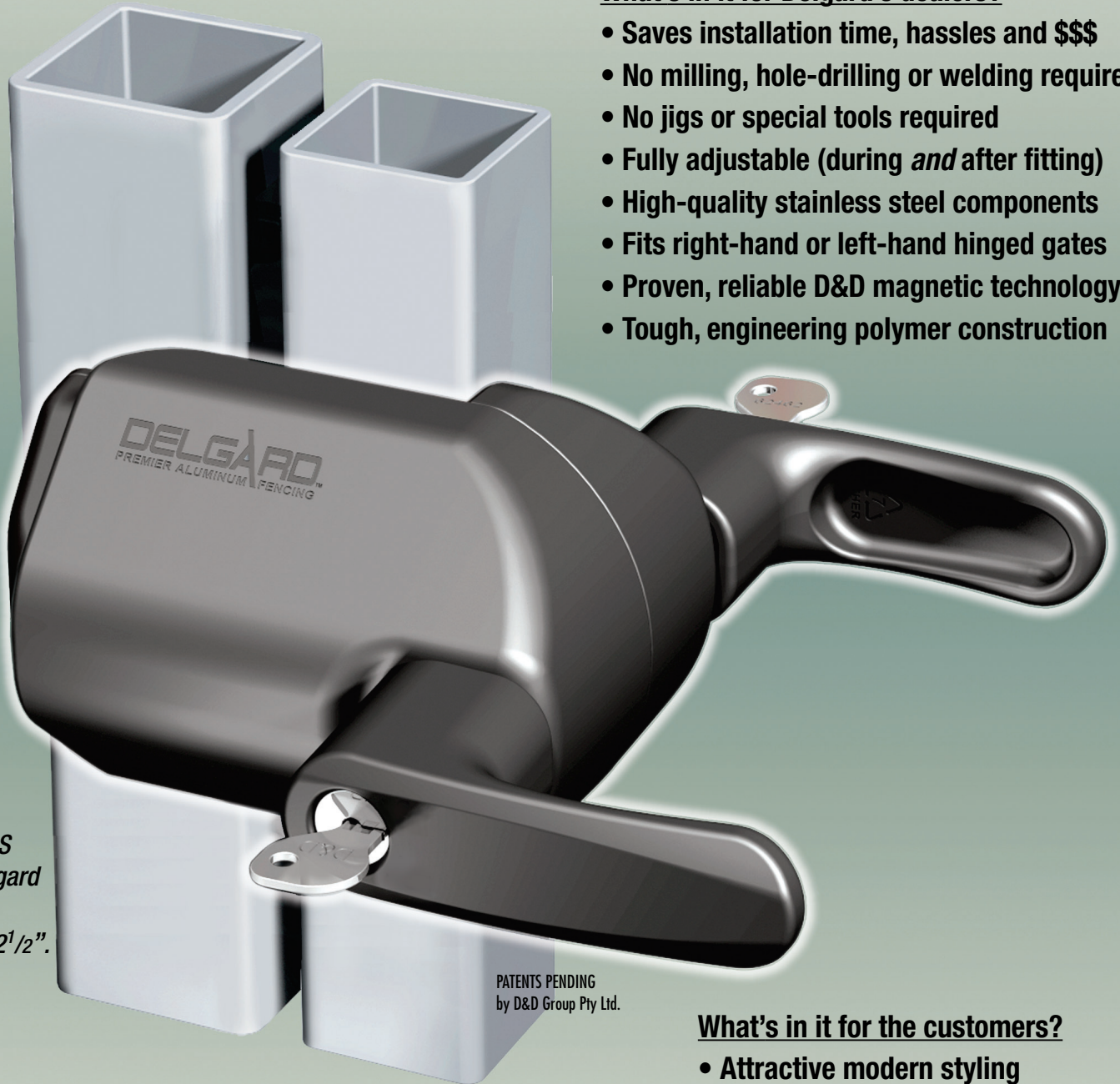


*Delgard teams with D&D Technologies to announce...*

# VERSA-LATCH™ **MAGNETIC GATE LATCH**

## What's in it for Delgard's dealers?

- Saves installation time, hassles and \$\$\$
- No milling, hole-drilling or welding required
- No jigs or special tools required
- Fully adjustable (during *and* after fitting)
- High-quality stainless steel components
- Fits right-hand or left-hand hinged gates
- Proven, reliable D&D magnetic technology
- Tough, engineering polymer construction



*TWO MODELS  
to fit all Delgard  
gate frames  
from 1½"–2½"*

PATENTS PENDING  
by D&D Group Pty Ltd.

## What's in it for the customers?

- Attractive modern styling
- Popular lever design (easy action)
- Locks & operates from either side
- Never rusts or corrodes
- Limited Lifetime Warranty

*The innovative magnetic gate latch*

Announcing the stylish new Versa-Latch™ Lockable Magnetic Gate Latch with dual locking.

This remarkable, magnetically triggered latch is designed and manufactured by innovative gate hardware specialists D&D Technologies (the inventors of Magna•Latch®) to meet your requirements.

The innovative device can be installed without any milling, hole-drilling or welding! Simply line it up on the gate and secure it using the screws supplied.

Installing the Versa-Latch™ takes just a few minutes. It also provides up to 1/2" of vertical and 1/2" of horizontal adjustment at any time during or after installation!

Versa-Latch™ is available in two models: one to fit 1 1/2" gate frames, and a longer-bodied model to fit 2 1/2" gate frames.

This gate latch is made from tough, engineering polymers and quality stainless steel components, which means no rust or staining - ever.

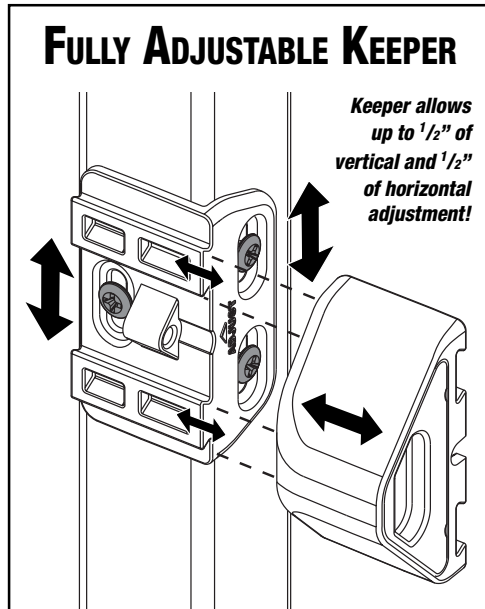
The Versa-Latch™ takes the successful, patented magnetic technology of the Magna•Latch® child safety gate latch\* and introduces it to the home and commercial security gate environment. This means the superior reliability of magnetic technology need no longer be limited to pool and child safety gates.

This two-part latch can simultaneously open or lock the gate from both sides of the fence. There is also an upgraded 6-pin lock cylinder model that can be conveniently keyed-alike (by a locksmith) to match other house locks.

Versa-Latch™ can be readily mounted to either left-hand or right-hand hinged gates.

Like all Delgard products, this gate latch is designed to make your installations simpler and more reliable. It carries Delgard's regular limited Lifetime Warranty.

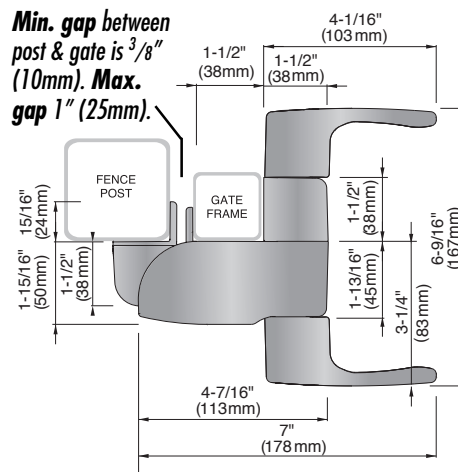
\*For swimming pool gates, the Magna-Latch® Magnetic Safety Gate Latch is the preferred latch, as it offers dedicated protection for gates around child safety areas.



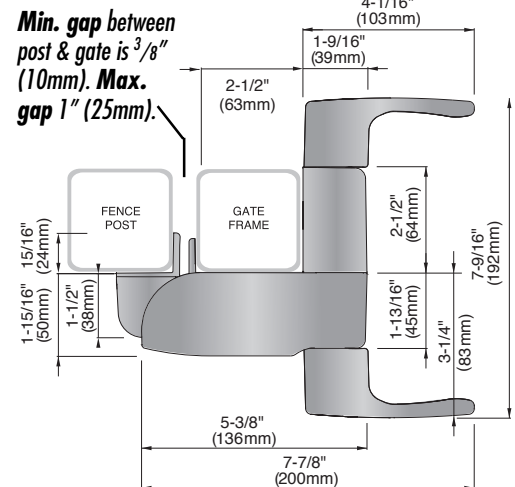
**Features/Benefits**

- Patented, magnetic latching action
- No milling, hole-drilling or welding required
- Two models, for common gate applications
- Fully adjustable (during & after installation)
- Dual key-locking cylinders
- Limited Lifetime Warranty
- 6-pin security lock available as upgrade
- Only 30° turn of handle to unlatch
- Lever handle (front & back)
- Vandal-resistant locking/handle
- Fasteners included
- Will latch, even in the "locked" position
- Fits left-hand or right-hand hinged gates

**For 1 1/2" gate frames ▼**



**For 2 1/2" gate frames ▼**



AVAILABLE FROM:

Patents, Registered Designs & Trade Marks apply worldwide. © Copyright 2005 D&D Group Pty Ltd, Sydney, Australia